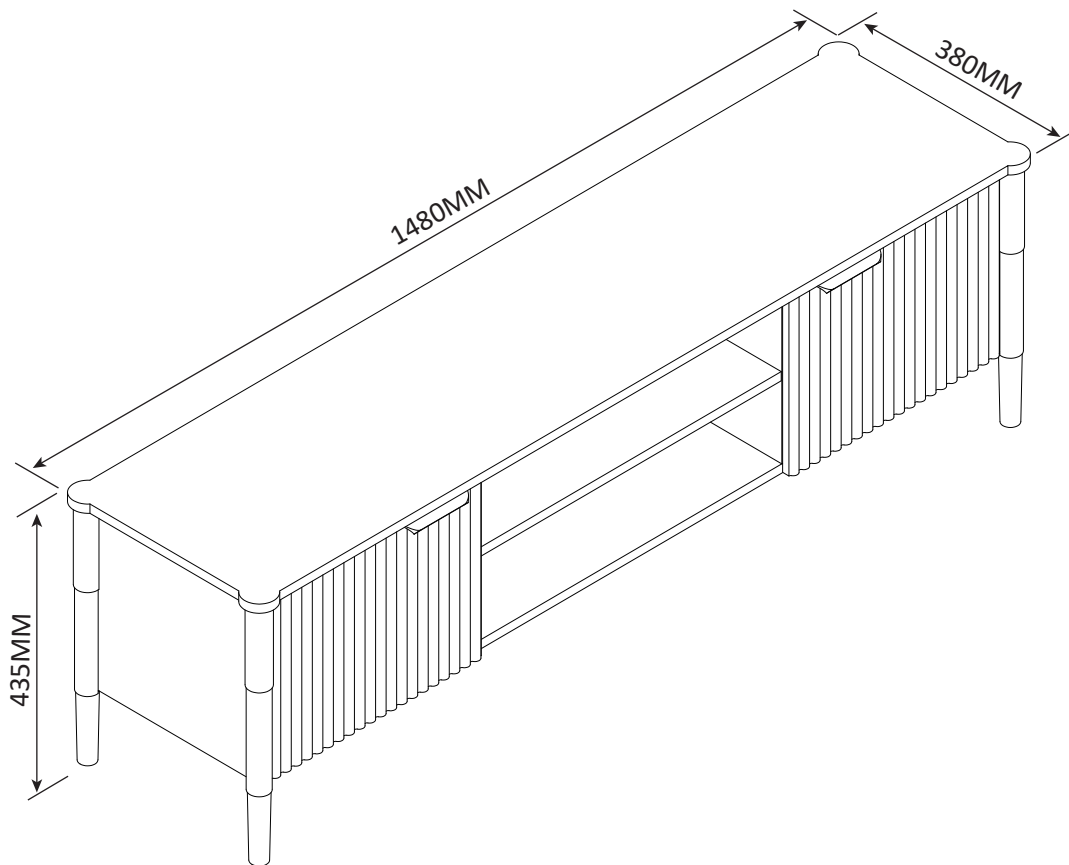


ASSEMBLY INSTRUCTION

BENEVNTO Entel-tainment Unit

ITEM CODE 85383



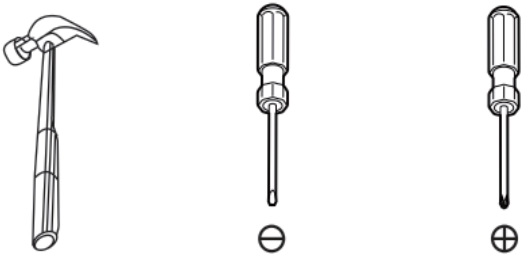


Imported by JWA Furniture Pty Ltd, Qld, Brisbane Australia.
For any assistance with assembly or for missing parts please refer to your receipt


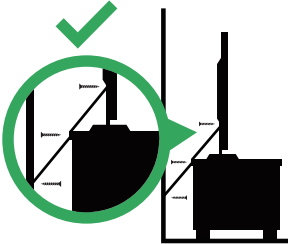
PRE-ASSEMBLY PREPARATION

Before you start:

1. Choose a clean, level, spacious assembly area. Avoid hard surfaces that may damage the product
2. Take care when lifting. Product should be assembled as near as possible to the point of use
3. Ensure that you have all required contents for complete assembly
4. Always read the assembly instructions carefully before beginning assembly.
5. Keep all hardware parts and packaging out of reach of small children.
6. Do not over tighten the screws and bolts as this may damage the threads
7. Assembly is to be carried out by a competent adult(s) ONLY
8. During assembly, children should be kept away from the product due to possible risk to injury.
9. Do not use this item if any components are missing or damaged.
10. Please keep the instructions for future reference.

		
<p>Allow 30 min</p>	<p>For 1 person</p>	<p>Additional tools required</p>

⚠ WARNING

		<p>Children have died from furniture tipover.</p> <ul style="list-style-type: none"> • NEVER allow children to stand, climb or hang on drawers, doors, or shelves. • ALWAYS secure your television with an anchor device or mount the television on a wall. <p style="color: red; font-weight: bold;">This is a permanent label. Do not remove!</p>
---	---	--



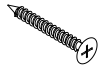
A x 16



B x 16



C x 20



D x 4



E x 16



F x 2



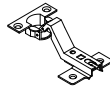
G x 8



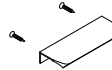
H x 4



I x 8



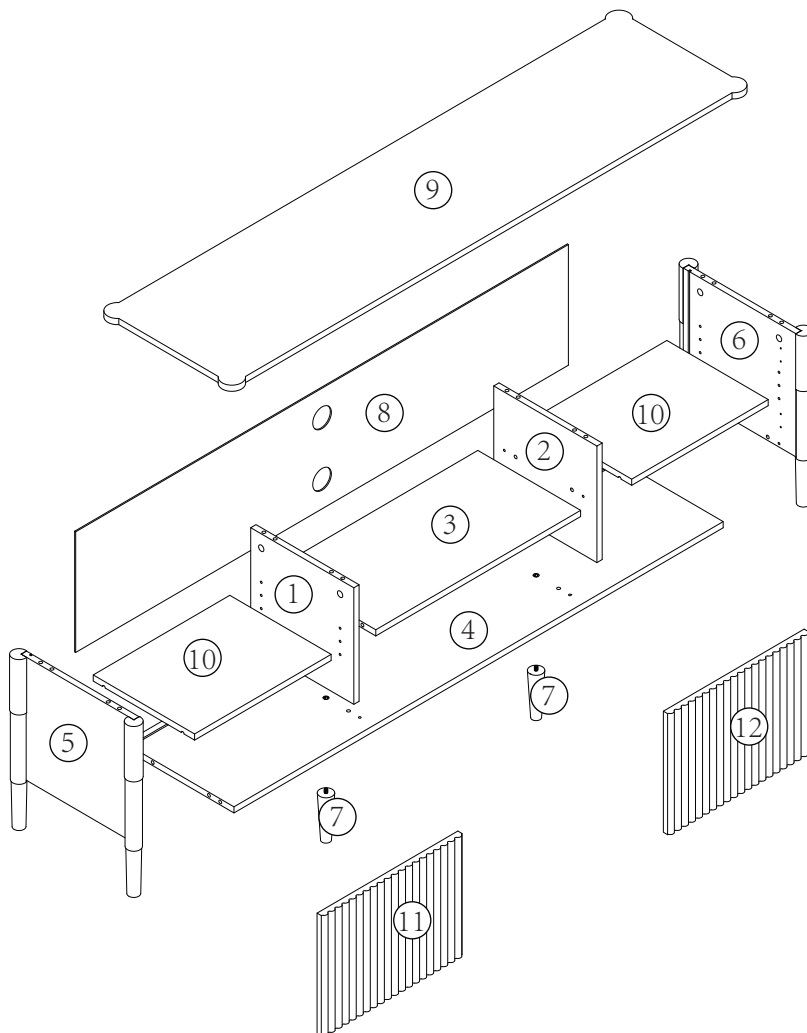
J x 4



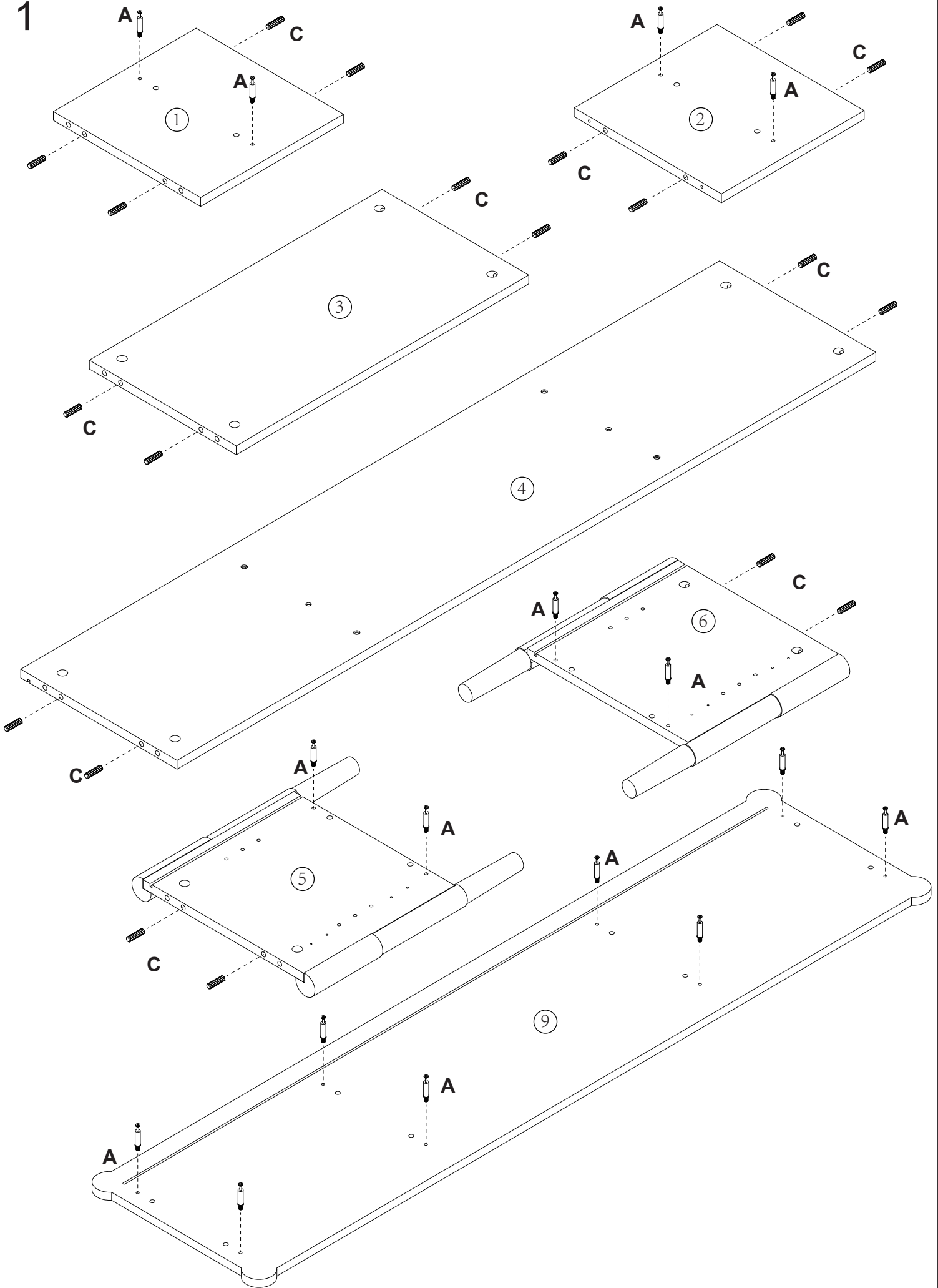
K x 2



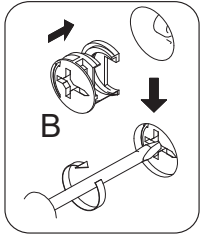
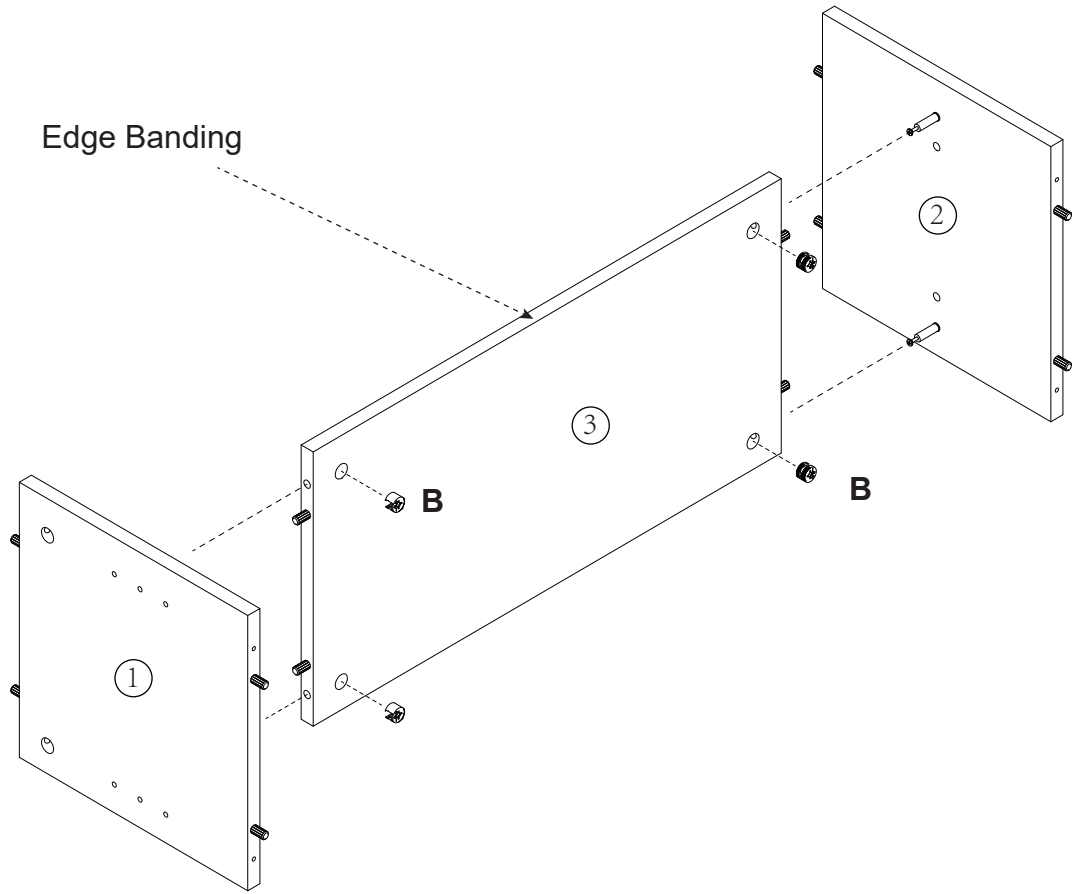
L x 2



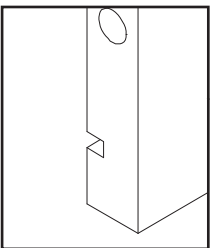
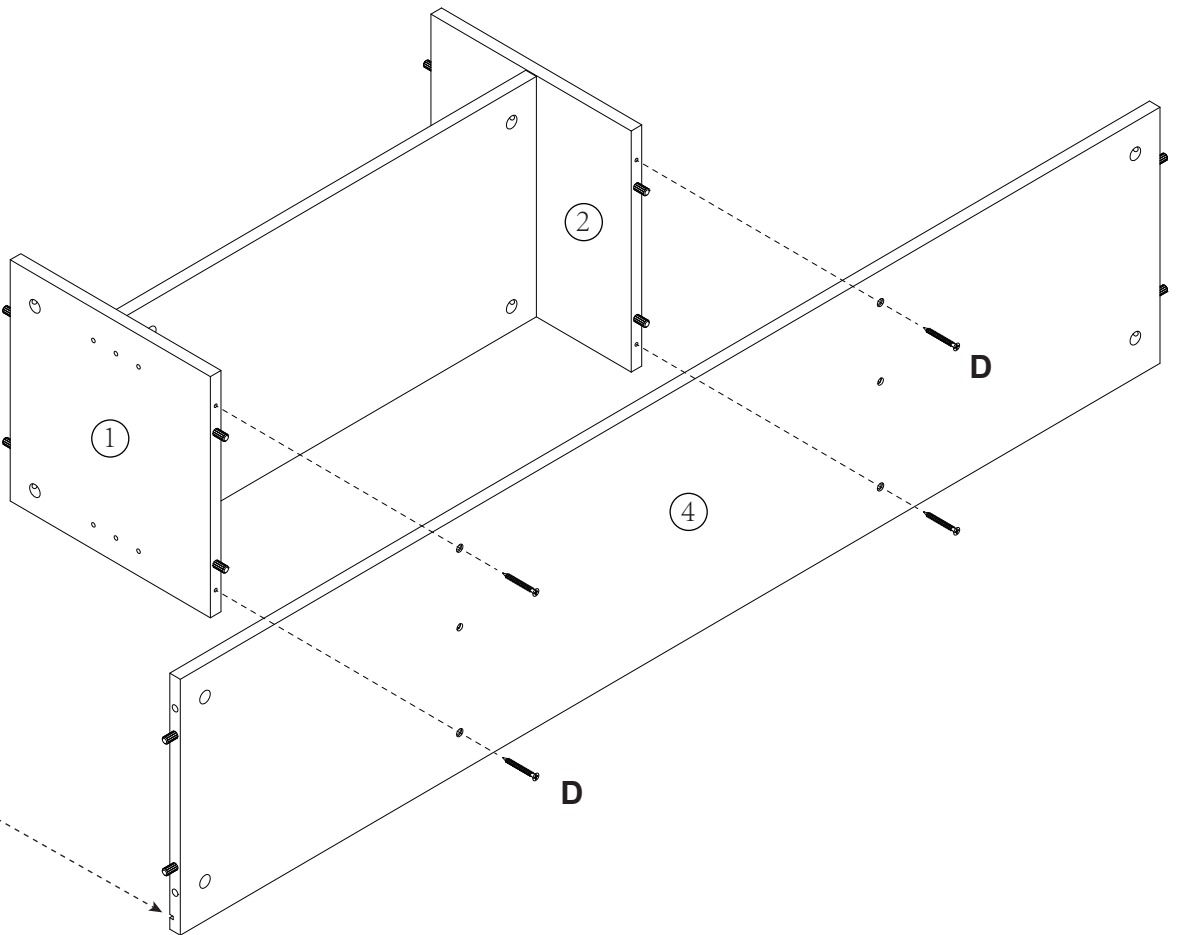
1



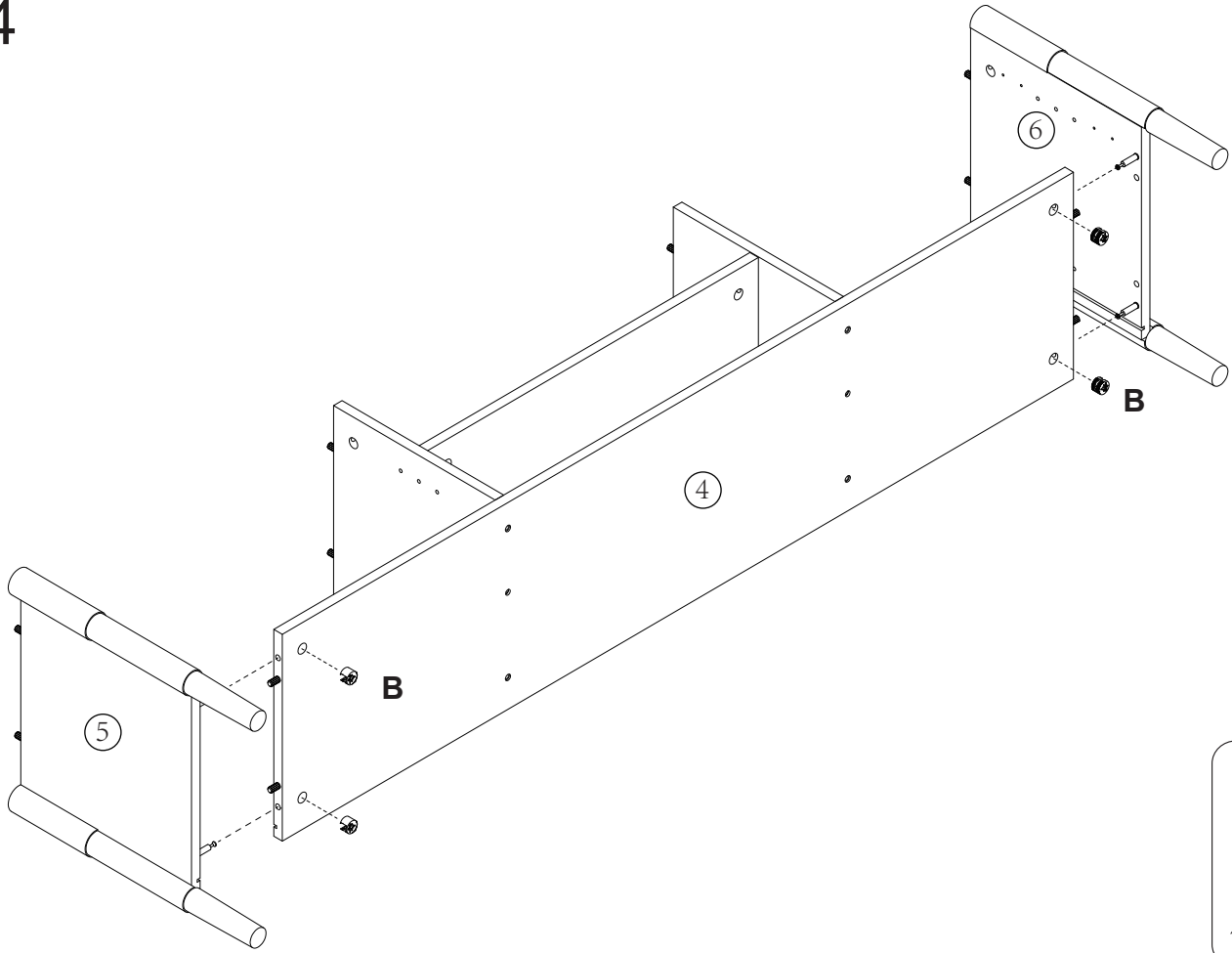
2



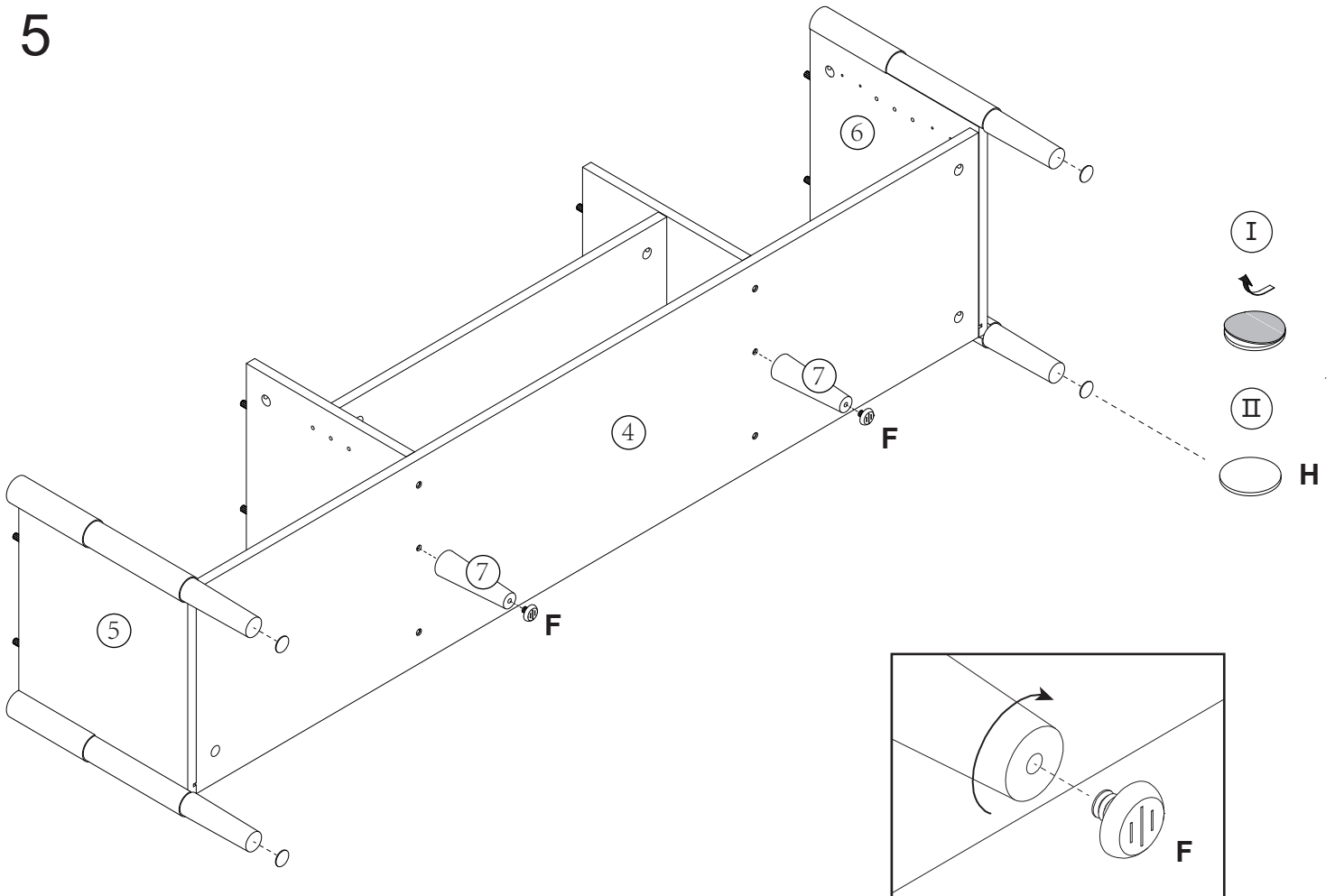
3



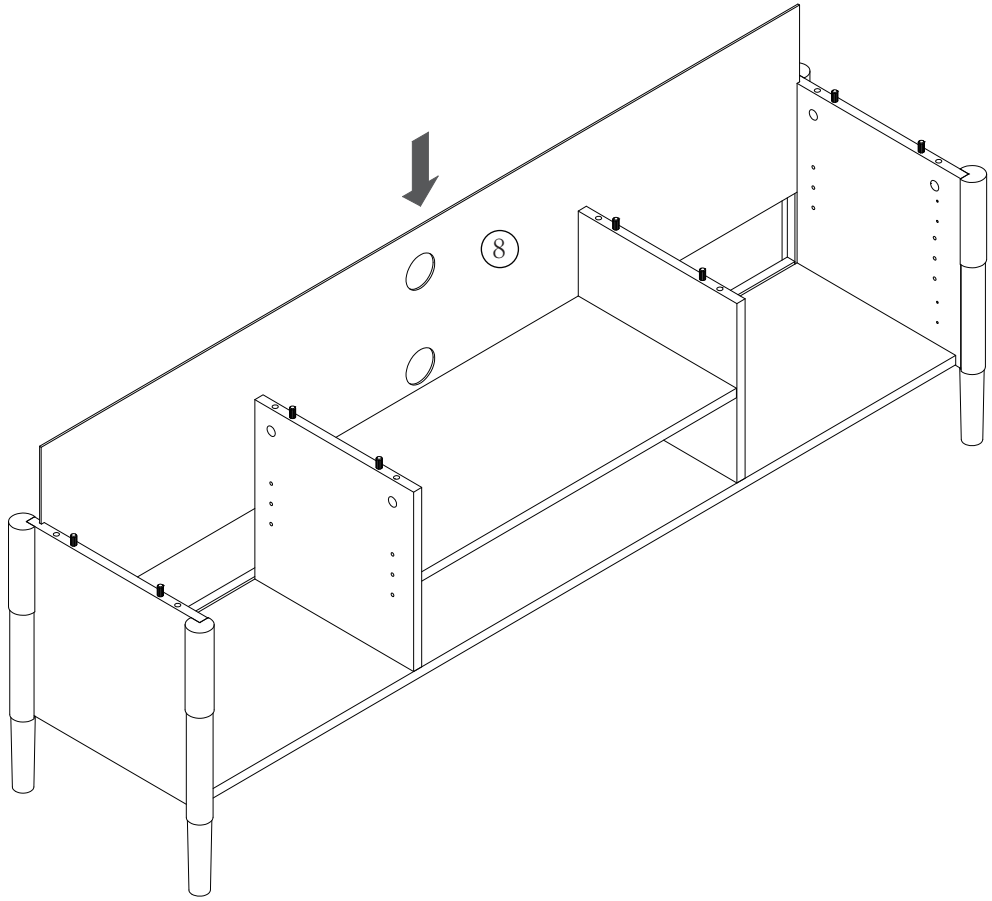
4



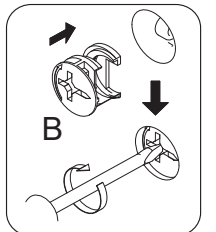
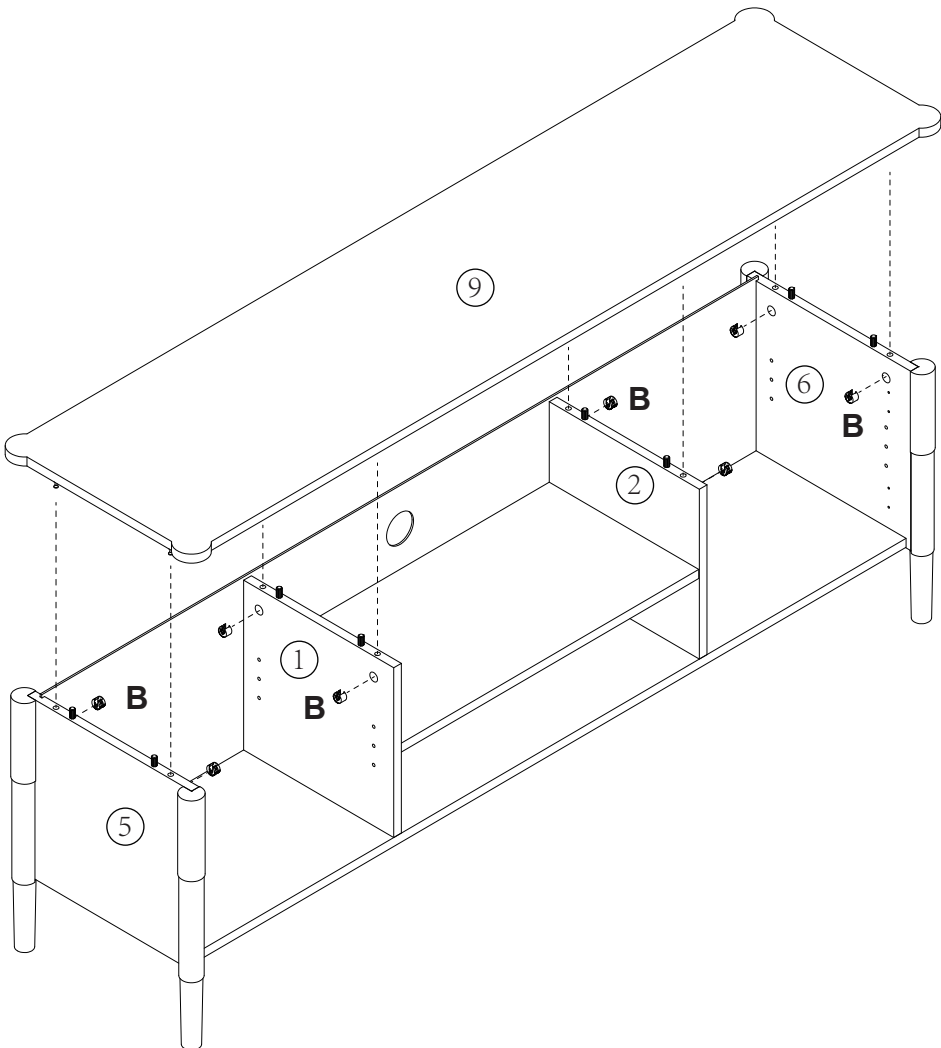
5



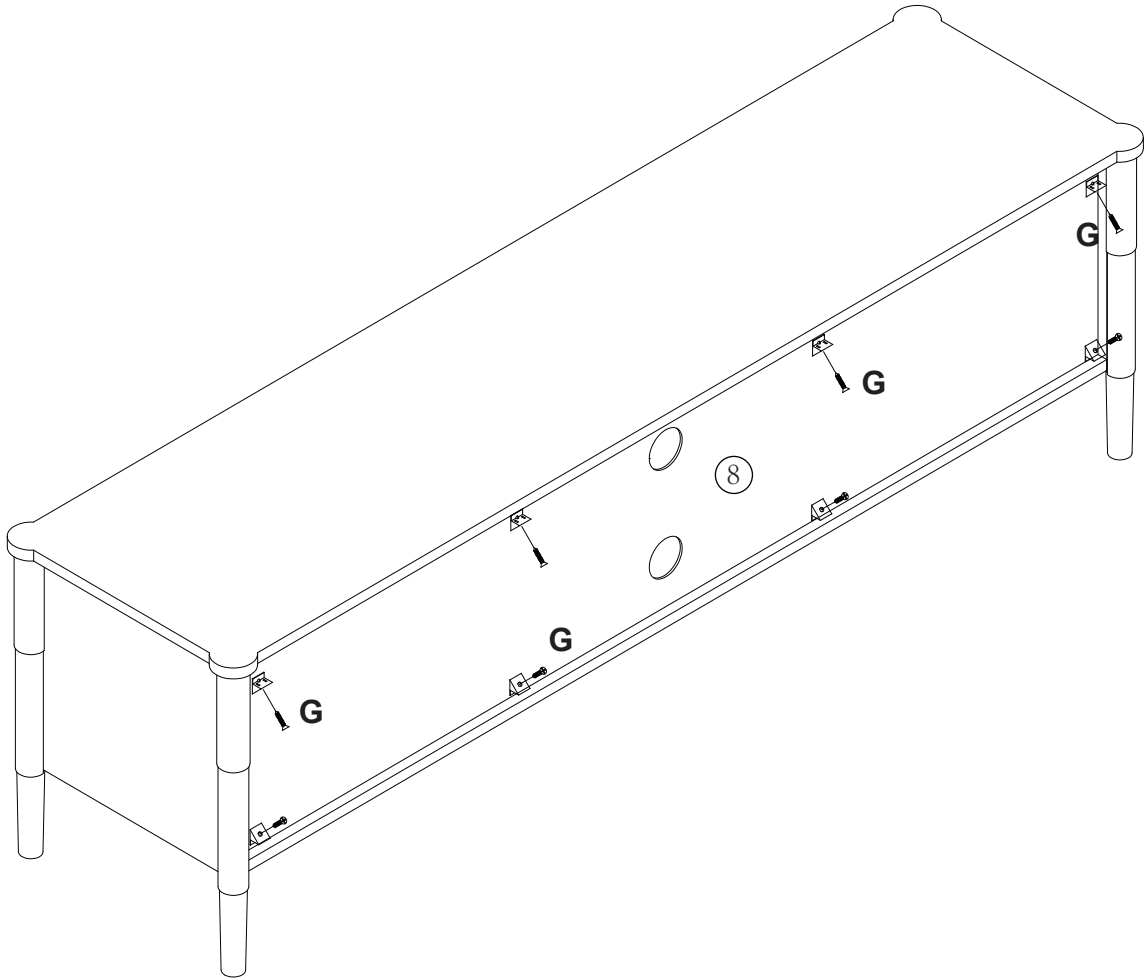
6



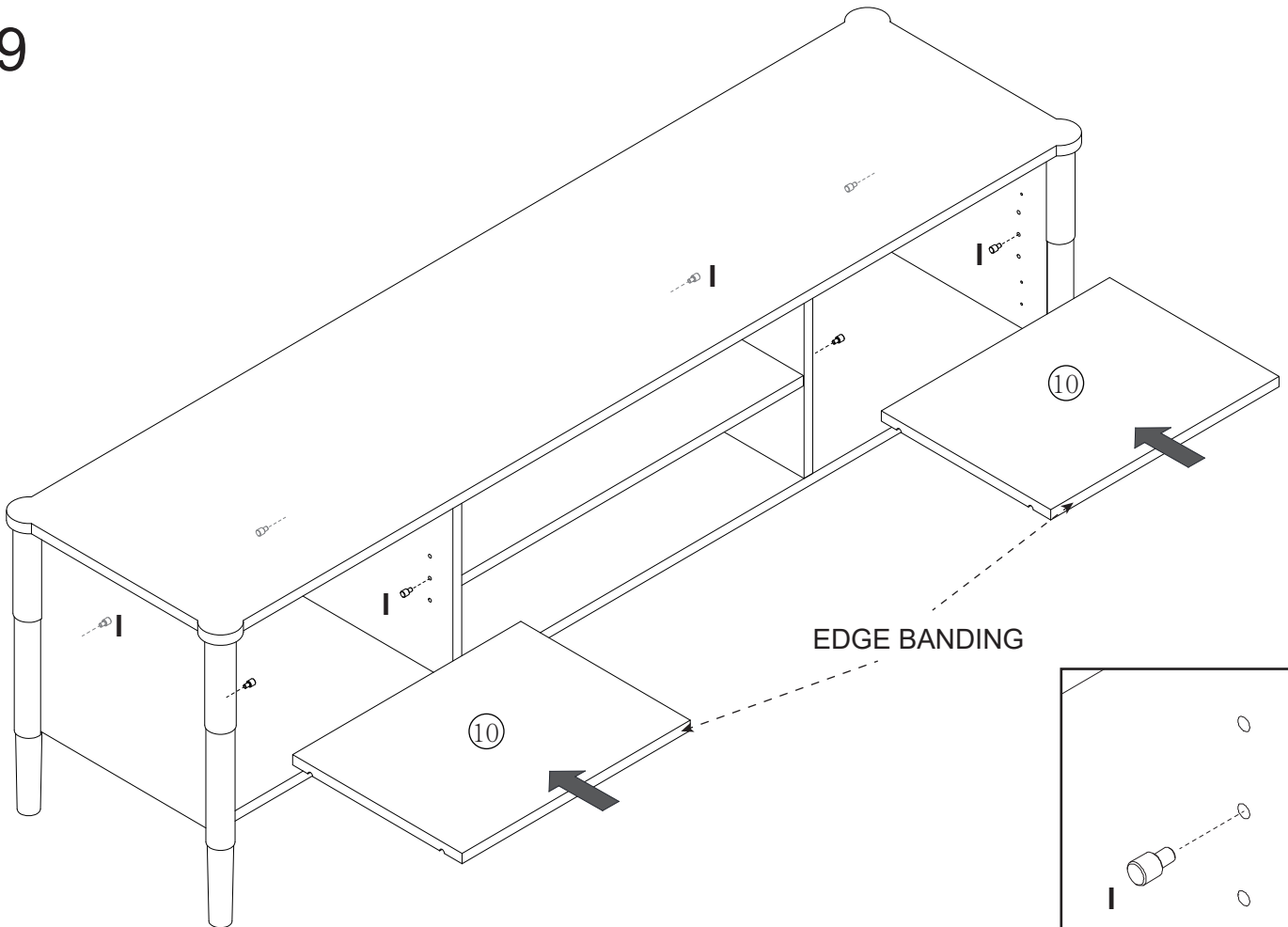
7



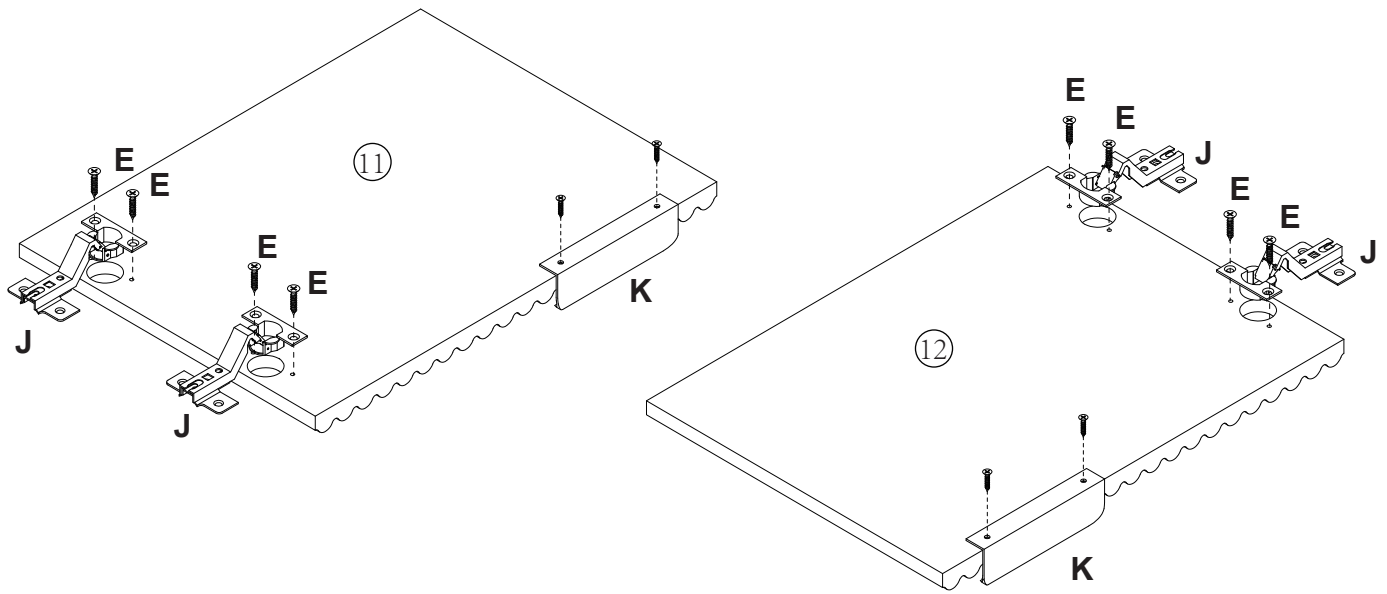
8



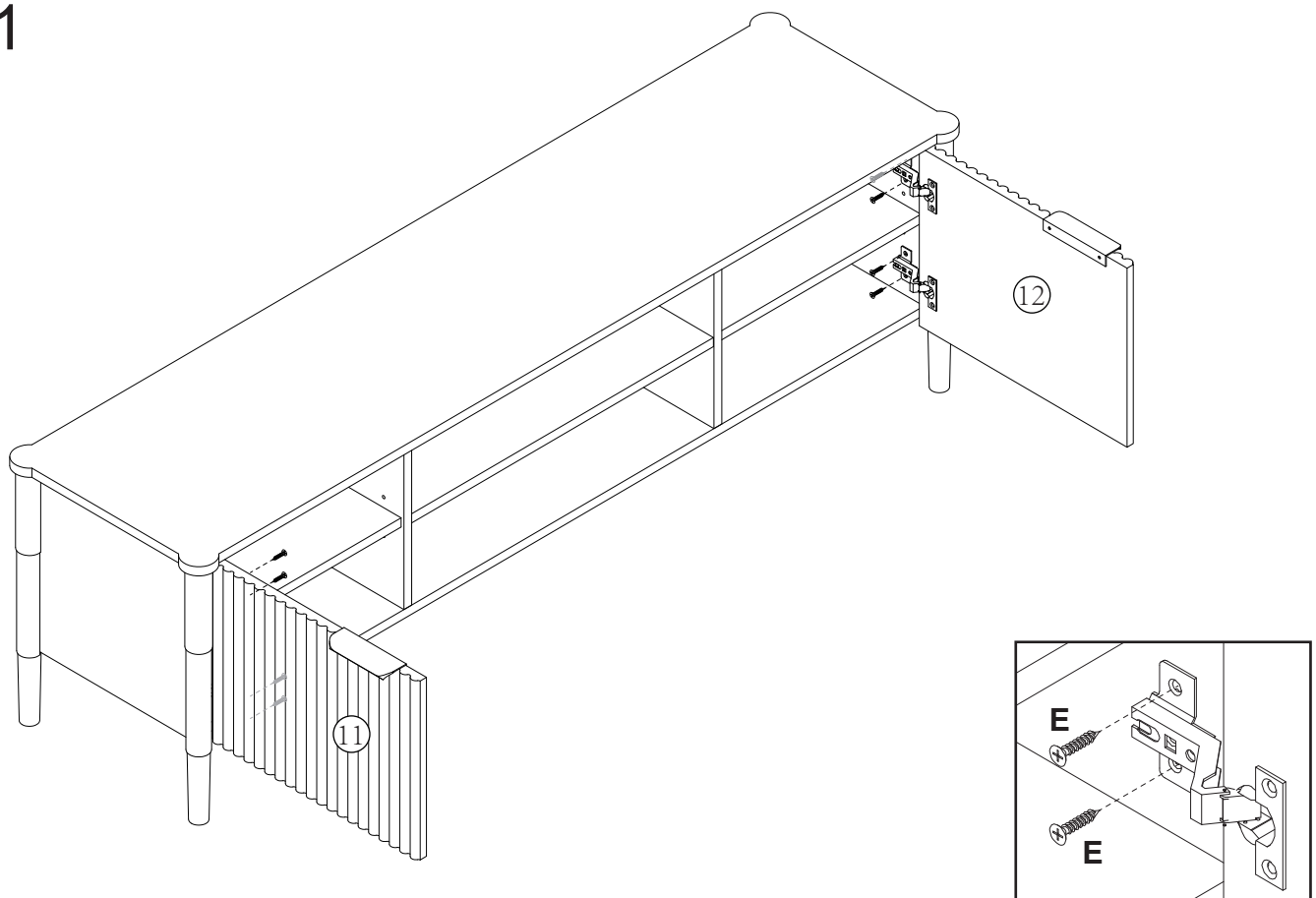
9

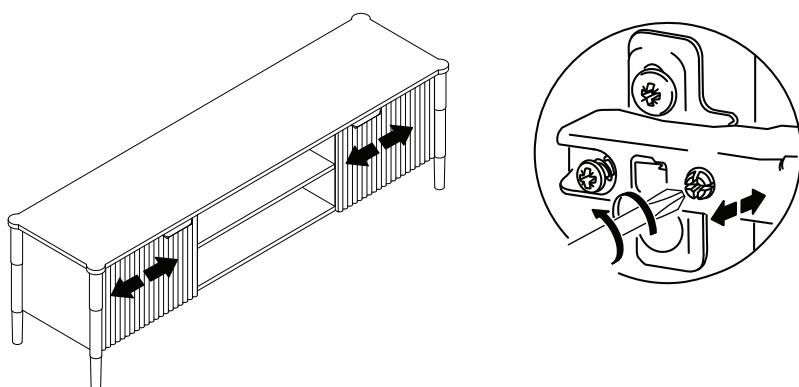
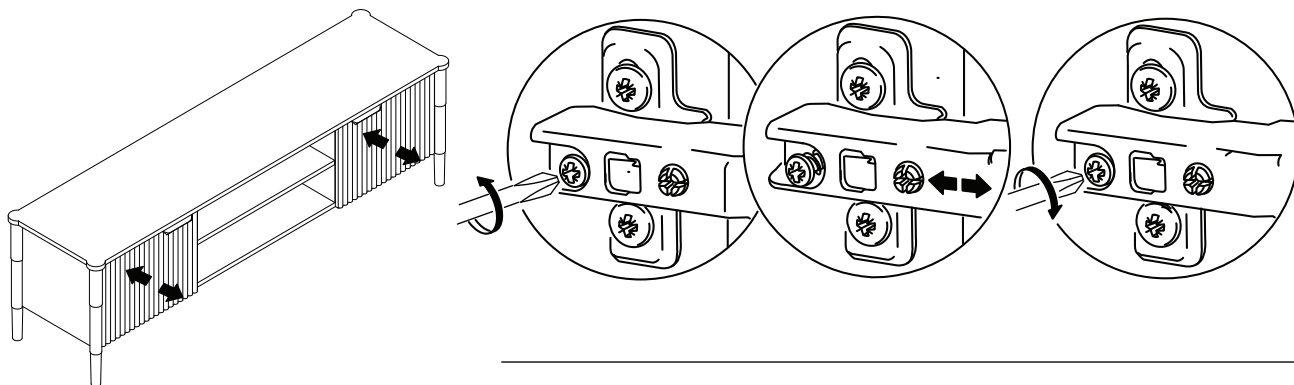
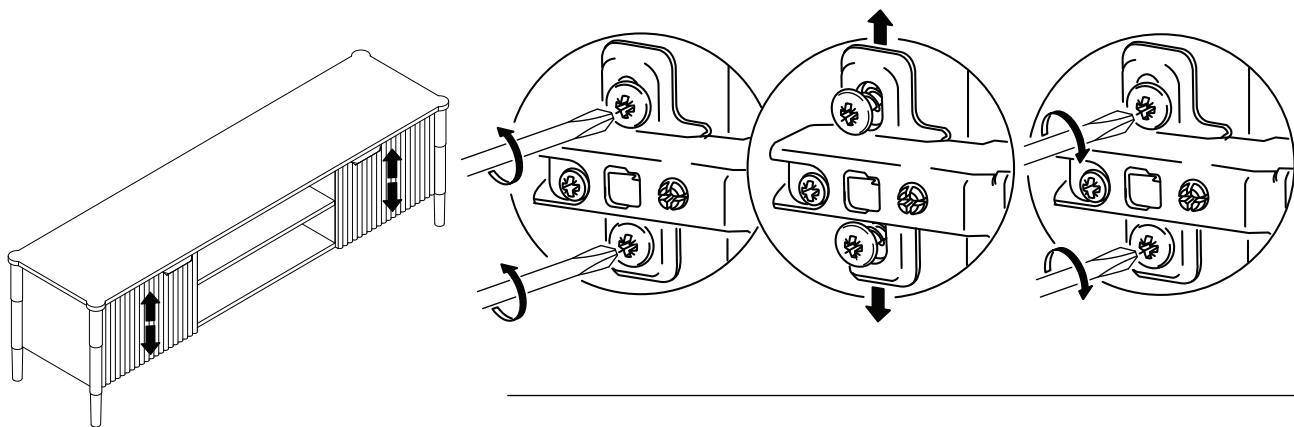


10

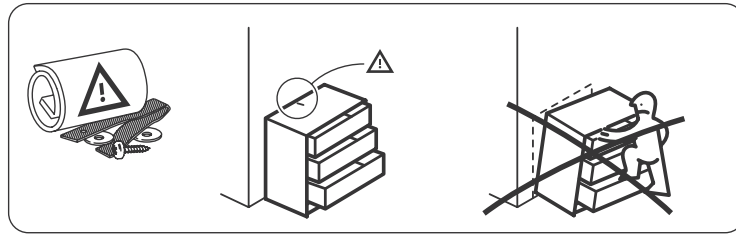


11





13



Il existe une grande diversité de types de murs ou cloisons, c'est la raison pour laquelle nous ne pouvons vous fournir le type exact de fixation. Il est nécessaire d'identifier le type de paroi à laquelle vous allez fixer ce produit afin de vous procurer les fixations appropriées. Voici quelques exemples de fixations conseillées pour:

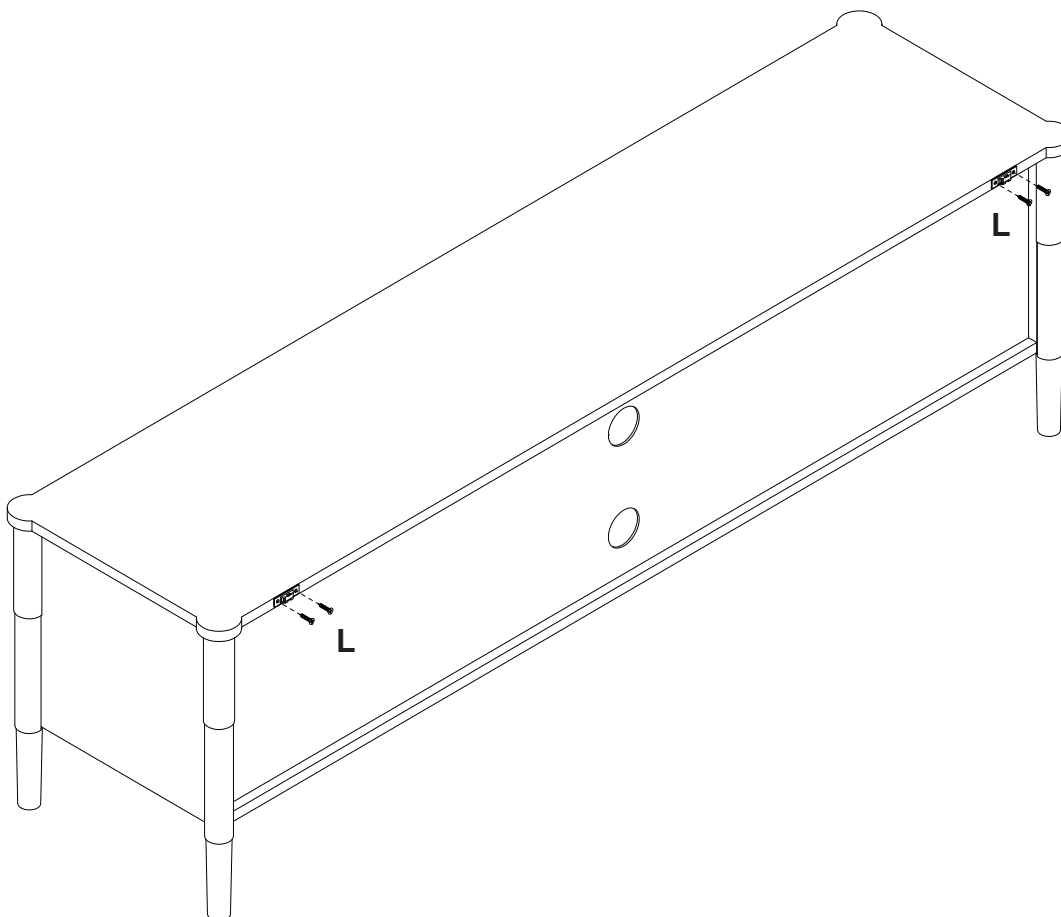
Existe una gran variedad de paredes y tabiques, por este motivo no podemos facilitar el tipo exacto de fijación. Es necesario identificar el tipo de pared en la cual van a fijar el producto, con tal de usar la fijación adecuada. Vean algunos ejemplos de fijaciones recomendadas:

PARA PAREDES MACIZOS LES MURS PLEIS		LES CLOISONS CREUSES TABIQUES HUECOS		
CHEVILLE NYLON "FISCHER" CLAVIA DE NYLON "FISCHER"	CHEVILLE D'ANCRAGE MÉTAL CLAVIA DE FIJACIÓN DE METAL	CHEVILLE D'ANCRAGE AAILETTES EN NYLON CLAVIA DE FIJACIÓN CON AILETTAS DE NYLON	CHEVILLE MÉTALLIQUE A EXPANSION CLAVIA METALICA EXPANSIVA	CHEVILLE "MOLLY" CLAVIA "MOLLY"

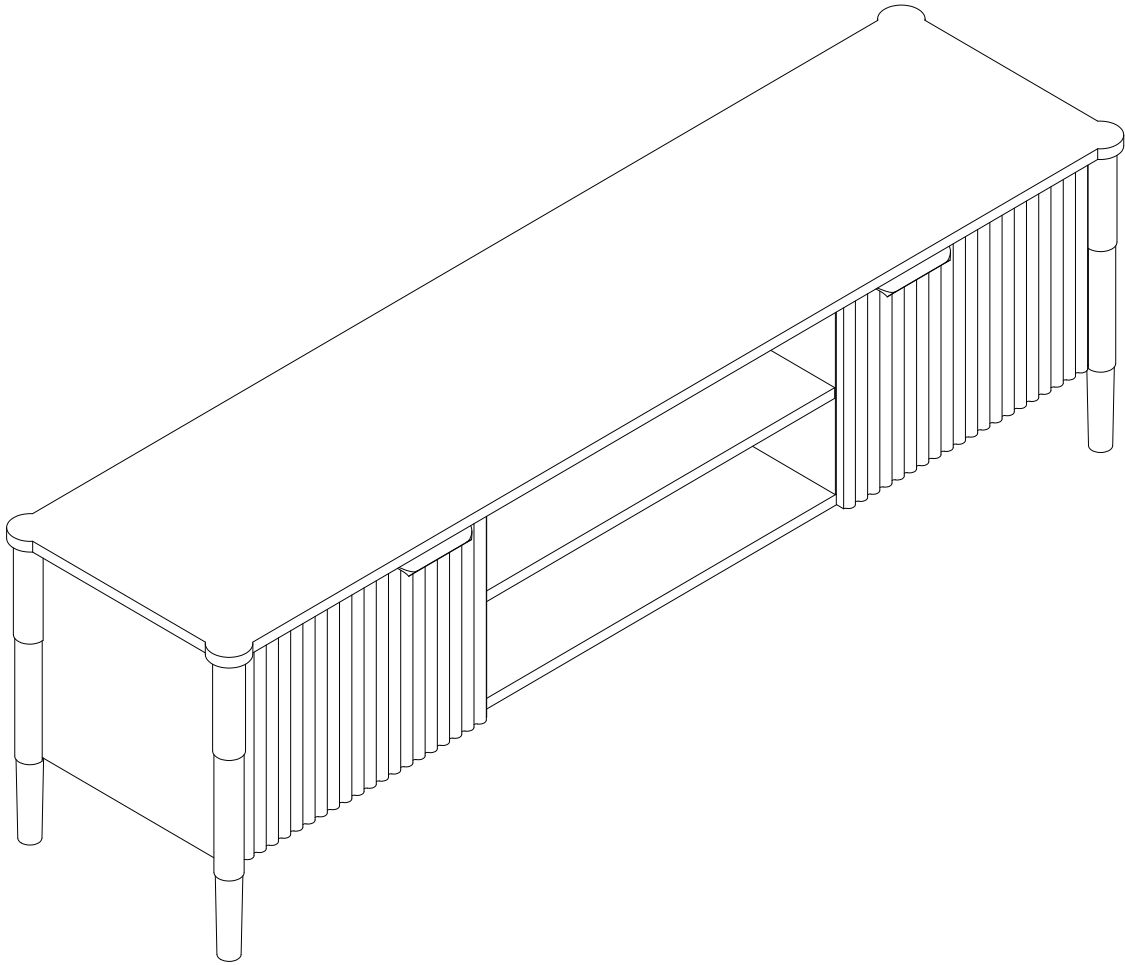


Utiliser une taille de forêt adaptée à la quincaillerie utilisée et au type de mur.
Usar un tamaño de taladro adecuado según el tipo de herrajes y de pared.

14



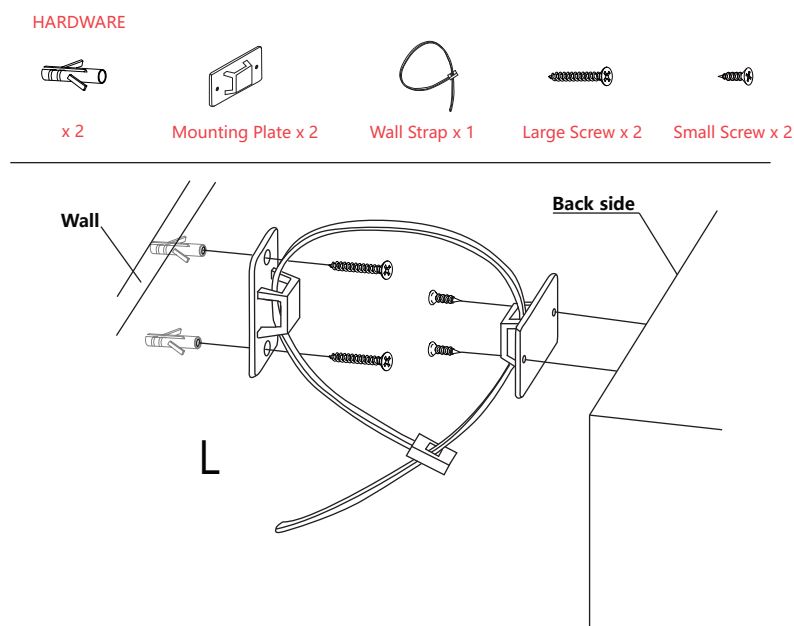
15



ASSEMBLY COMPLETE

SAFETY BRACKETS INSTRUCTIONS

1. Attach one Mounting Plate to the wall with the Large Screws. Make sure to attach the Mounting Plate into a stud. If mounting into brick or masonry you will need to acquire wall anchors.
2. Attach the second Mounting Plate to the furniture frame with the Short Screws.
3. Move the furniture to its final position. Thread a Wall Strap through the both Mounting Plates and tighten until snug. Do not over tighten.
4. Make sure that the Mounting Plates are firmly attached to the wall and furniture and that the Wall Strap is snug.



To protect your furniture, we suggest the following:

- Avoid placing your furniture in direct sunlight.
- Do not place furniture directly under windows.
- Do not place sharp materials (knife, fork, etc.) directly onto your furniture as sharp material may scrape and damage the finish.
- Do not place material with high temperature directly onto the surface of your furniture.
- Clean up spills quickly. Water left over a prolonged period of time may cause damage. Alcohol, perfume, nail polishes, aftershave and some medication may cause severe finish damage if not cleaned immediately.
- Use a clean, soft, dry, lint free absorbent cloth to clean your furniture. Do not use any detergent as they may contain ingredients that may react and damage the finish.

NOTE: If the above care advise is not adhered to your product warranty may become void